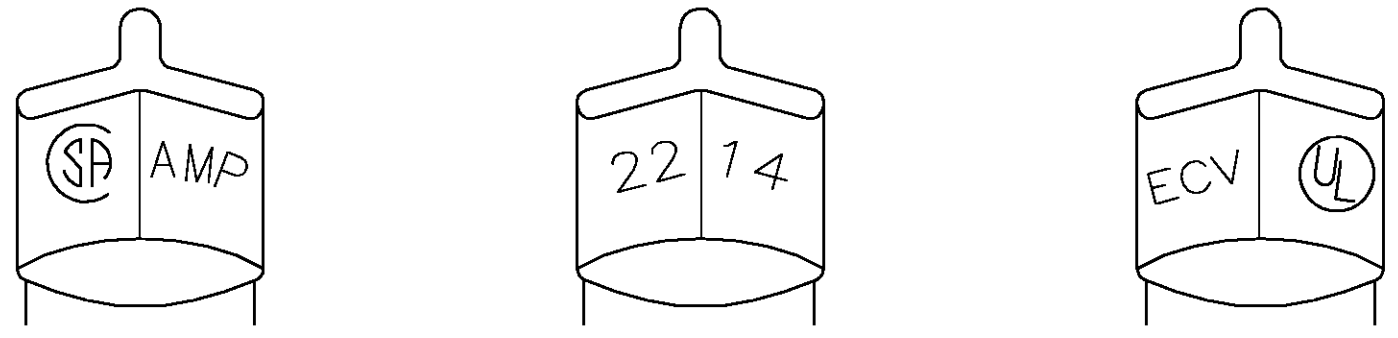




THIS DRAWING IS UNPUBLISHED. RELEASED FOR PUBLICATION
 © COPYRIGHT - BY TYCO ELECTRONICS CORPORATION. ALL RIGHTS RESERVED.

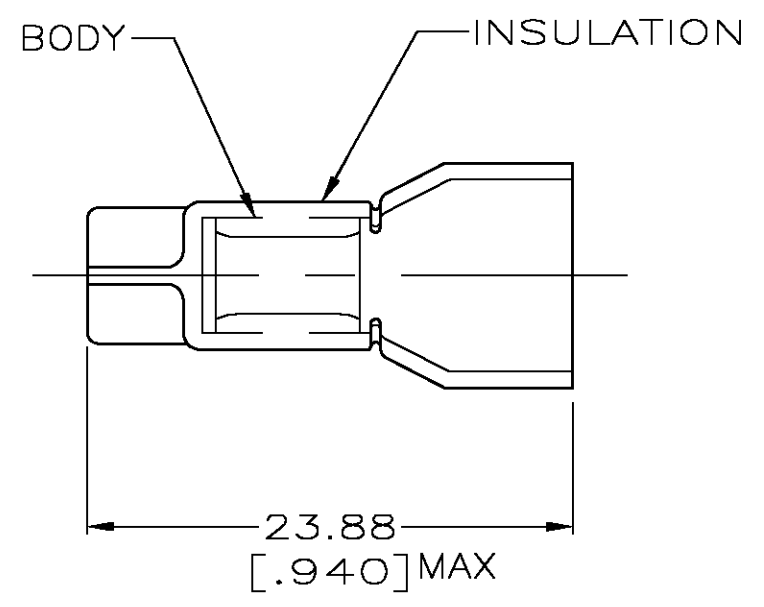
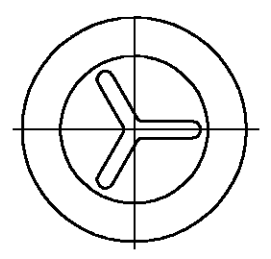
LOC	DIST	REVISIONS					
		P	LTR	DESCRIPTION	DATE	DWN	APVD
G	14		D	REV PER 0G3A-0256-04	08APR04	JR	TM

AMP WIRE RANGE	 Listed FILE E13288	 LR7189 Certified
22-14 AWG SOLID OR STRANDED	22-14 AWG SOLID OR STRANDED	22-14 AWG SOLID OR STRANDED



STAMPING DETAIL

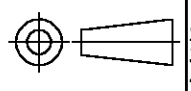


- 1 FOR 5.97 [.235] MAX WIRE INSULATION DIA
-  MATERIAL: BODY - COPPER
INSULATION - PVC
-  FINISH: BODY - TIN PLATE PER ASTM B-545
INSULATION - PURPLE




-	LOOSE PIECE	55843-1
QTY	DESCRIPTION	PART NO

AMP INCORPORATED CUSTOMER SERVICE SYSTEMS	
FOR ADDITIONAL PRODUCT INFORMATION OR COPIES OF DRAWINGS AND TECHNICAL DOCUMENTS	PRODUCT INFORMATION CENTER 1-800-522-6752
FOR APPLICATION TOOLING INFORMATION	TOOLING ASSISTANCE CENTER 1-800-722-1111
FOR ORDER ENTRY	1-800-526-5142

MAX RECOMMENDED OPERATING TEMPERATURE: 105° C
VOLTAGE RATING: 600V MAX (BUILDING WIRING) 1000V MAX (FIXTURES & SIGNS)
CIRCULAR MIL AREA: 0.26-2.63mm² [509-5180] SOLID OR STRANDED

THIS DRAWING IS A CONTROLLED DOCUMENT.	
DIMENSIONS: INCHES	TOLERANCES UNLESS OTHERWISE SPECIFIED:
	0 PLC ± - 1 PLC ± - 2 PLC ± 0.20 [.008] 3 PLC ± - 4 PLC ± - ANGLES ± -
MATERIAL	FINISH
- 	- 

DWN G KRUPER 01-11-93		Tyco Electronics Corporation Harrisburg, Pa 17105-3608	
CHK R HERSEY 01-11-93		NAME SPLICE, WIRE, CLOSED END	
APVD M ELLIS 01-11-93		SIZE A3	CAGE CODE 00779
PRODUCT SPEC	RESTRICTED TO		
APPLICATION SPEC	SCALE 2:1		SHEET 1 OF 1
WEIGHT	CUSTOMER DRAWING		REV D